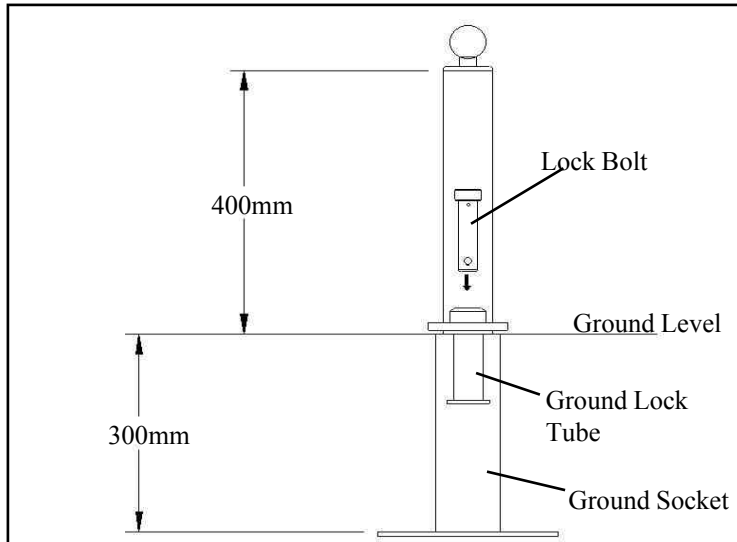




Bulldog SA7L Hitch Post.



Features:-

1. Constructed from 70 x 70mm hollow section steel, 5mm thick.
2. 300mm engagement into the ground.
3. Locked in place with Bulldog Super Lock Bolt. Case hardened 1" (25.4mm) diameter body. Drill and pick resistant lock with over one million possible key combinations. (See separate sheet).
4. Flush fitting ground lock tube to receive Super Lock Bolt.
5. 12mm thick retaining eye welded to post leg.
6. Bright yellow, highly visible powder coated finish.
7. Protection plate supplied to cover ground socket opening when hitch post is removed for access.
8. Dust cover to protect lock.
9. No protrusions when post is removed.
10. Case hardened hitch ball welded to top of post.
11. Can be used in conjunction with Bulldog Mini Lock to lock trailer/caravan to post.

Note: Special bottom channels are required for Bradley and Rice Mini Locks to allow for fixing to post.

12. Weight = 14.3kg

BULLDOG SECURITY PRODUCTS LIMITED

Units 1 - 4 Stretton Road, Much Wenlock, Shropshire, TF13 6DH.

Tel: 01952 728171 Fax: 01952 728117

email: sales@bulldogsecure.com webpage: www.bulldogsecure.com